

International Conference on Maritime and Archipelago (IcoMA 2018)

**Natural Engineering and
Social Perspective**

Advances in Engineering Research Volume 167

**Bangka Belitung, Indonesia
13-15 September 2018**

Editors:

**Hadiyanto
Budiyono
Ibrahim**

ISBN: 978-1-5108-9611-6

Printed from e-media with permission by:

Curran Associates, Inc.
57 Morehouse Lane
Red Hook, NY 12571



Some format issues inherent in the e-media version may also appear in this print version.

Copyright© (2019) by Atlantis Press
All rights reserved.
Copyright for individual electronic papers remains with the authors.

For permission requests, please contact the publisher:

Atlantis Press
Amsterdam / Paris

Email: contact@atlantis-press.com

Conference Website: <http://www.atlantis-press.com/php/pub.php?publication=icoma-18>

Printed with permission by Curran Associates, Inc. (2019)

Additional copies of this publication are available from:

Curran Associates, Inc.
57 Morehouse Lane
Red Hook, NY 12571 USA
Phone: 845-758-0400
Fax: 845-758-2633
Email: curran@proceedings.com
Web: www.proceedings.com

TABLE OF CONTENTS

COMMUNITY STRUCTURE OF SEAGRASS IN KETAWAI ISLAND, BANGKA BELITUNG ISLANDS PROVINCE, INDONESIA	1
<i>Wahyu Adi, M. Rizza Muftiadi, Okto Supratman, Dwi Rosalina, Fika Dewi Pratiwi, Sudirman Adibrata</i>	
PURIFICATION OF SILICA FROM TIN TAILING BY ACID LEACHING METHODS	5
<i>Fitri Afriani, Evi J, Robby Mahardika, Rifqi Rafsanjani, Yuant Tiandho</i>	
THE FISHING GEARS TRADITIONAL OF MALIK VILLAGE, SOUTH BANGKA REGENCY	8
<i>Budi Afriansyah, Nur Hidayati, Tia Pratiwi, Nety Fitrianingstih</i>	
MORPHOMETRIC AND MERISTIC CHARACTERS OF SELANGAT FISH (ANODONTOSTOMA SP.) FROM KELABAT BAY AND TUKAK STRAIT, BANGKA BELITUNG	13
<i>Siti Aisyah, Ahmad Syarif</i>	
SPATIAL DISTRIBUTION OF MANGROVE IN KELAPAN ISLAND, SOUTH BANGKA REGENCY	17
<i>Irma Akhrianti</i>	
OCEANOGRAPHY DATABASE DEVELOPMENT IN BANGKA SEAS	22
<i>Indra Ambalika, Irma Akhrianti, Aditya Pamungkas, Mohammad Nugraha, Umroh</i>	
BANGKA'S TIN SEA SAND-FE3O4 AS A REMOVAL OF HEAVY METALS IN BY-PRODUCT OF TIN ORE PROCESSING	27
<i>Shofi Anfaresi, Intan Putri, Ridho Mulia, Anisa Alfisyahr, Nurul Muzayyanah</i>	
VOLUNTARY DISCLOSURE PRACTICES AT UNIVERSITY OF BANGKA BELITUNG BY USING NON PROFIT ORGANIZATION REPORTING INDEX	34
<i>Wenni Anggita, Anggraeni Yunita, Erita Rosalina, Izma Fahria</i>	
ANALYSIS OF ECONOMIC REGIONAL POTENCY IN CENTRAL BANGKA DISTRICT PROVINCE BANGKA BELITUNG ISLAND'S	39
<i>Mochammad Ashar, Vehtasvili</i>	
ANALYSIS OF WHITE PEPPER QUALITY ON PETALING 1 AND LAMPUNG DAUN KECIL (LDK) VARIETIES AT SOUTH BANGKA	46
<i>Euis Asriani, Riwan Kusmiadi, Selphi Sari</i>	
IMPORT OF SALT: NEEDS OR INTEREST	50
<i>Remo Astuti, Desti Qurniawati, Kismartini</i>	
THE DESIGN OF E- MARKETING FOR BANGKA'S PEPPER USING WEB SERVER AND ANDROID	54
<i>Eddy Atmaja, Ghiri Putra</i>	
THE POLICY STRATEGY OF UTILIZATION COASTAL AREA RESOURCE IN SOUTH BANGKA REGENCY	60
<i>Endang Bidayani, Sujadmi, Agus Hartoko</i>	
SOCIAL CONSTRUCTION RITUALS OF NUJU JERAMI ORANG LOM BANGKA INDONESIA	65
<i>Jamilah Cholilah, Bustami Rahman, Herdiyanti</i>	
DISCOVERING THE HISTORICAL TRAIL OF ORAL TRADITIONS IN TUATUNU VILLAGE	68
<i>Andri Fernanda, Dini Wulansari, Sandy Ferianda</i>	
DETERMINATION OF GEOMAGNETIC DATA MEASUREMENT POINT SPACING BY GEOSTATISTIC APPROACH	71
<i>Guskarnali, Mardiah</i>	
SEA LEVEL VARIABILITY AROUND BELITUNG USING SATELLITE ALTIMETRY	76
<i>Hariyadi, Eko Handoko, Muhammad Yusuf, Johannes Hutabarat, Denny Sugianti, Anindya Wirasatriya</i>	
FORMULATING A CRIMINAL POLICY OF UNLICENSED TIN MININGS WHICH THE COMMUNITY WELFARE IN BANGKA BELITUNG ISLANDSIMPROVES	80
<i>Dwi Haryadi</i>	
EFFECT OF THE MONSOON TO SEA SURFACE TEMPERATURE IN THE JAVA SEA	84
<i>Yosafat Haryanto, Rezfiko Agdialta, Agus Hartoko, Sutrisno Anggoro, Muhammad Zainuri</i>	
LIVELIHOOD STRATEGY OF THE RIDING PANJANG POST-TIN VILLAGE COMMUNITY (STUDY OF RIDING PANJANG VILLAGE COMMUNITY, MERAWANG DISTRICT, BANGKA REGENCY)	88
<i>Herdiyanti, Jamilah Cholilah, Panggio Wilujeng</i>	
LOCAL STAKEHOLDERS' PERCEPTION TOWARD TIN MINING ISSUES IN BANGKA BELITUNG	94
<i>Ibrahim, Dwi Haryadi, Nanang Wahyudin</i>	

MAGNETIC PROPERTIES OBSERVATION OF CERIUM-IRON-BORON AMORPHOUS	99
<i>Anisa Indriawati, Herman Aldila, Widodo Kurniawan, Yuant Tiandho, Fitri Afriani, Verry Fabiani</i>	
SOIL AMELIORANT IN POST TIN MINING LAND OF BANGKA ISLAND FOR PEPPER GROWTH	102
<i>Ismed Inonu, Rion Apriyadi, Riwan Diaguna, Muhammad Rinaldi</i>	
GEOSITE POTENTIAL AS TOURISM DESTINATION IN JEBUS WEST BANGKA REGENCY BANGKA BELITUNG ARCHIPELAGO PROVINCE	107
<i>Irvani, Delita Andini, Guskarnali, Mardiah, Dimas Ardiyanto, Ervina Utami, Sulka Wijaya</i>	
GROWTH AND ACCUMULATION OF PB IN NATIVE HYMENACHNE (HYMENACHNE ACUTIGLUMA) IN TAILINGS AREA AS AFFECTED BY ORGANIC AND INORGANIC FERTILIZER	113
<i>Nyanyu Khodijah, Rujito Suwignyo, M. Umar Harun, Lucy Robiartini</i>	
INDONESIAN FISHING POLICY TRAP	119
<i>Kismartini, Hartuti Purnaweni, Suradi Saputra</i>	
CRITICAL ANALYSIS OF THE REGULATION REGARDING TRADITIONAL FISHERMEN IN GREY-AREA OF INDONESIA-MALAYSIA	123
<i>Ida Kurnia, Imelda Martinelli, Ade Adhari</i>	
CULTURABLE CELLULOLYTIC BACTERIA FROM MANGROVE WITH ANADARA GRANOSA CULTIVATION IN SUKAL, WEST BANGKA	129
<i>Ardiansyah Kurniawan, Suci Sari, Euis Asriani, Abu Sambah, Andi Kurniawan, Asep Prihanto</i>	
FISHING GROUND OF FEATURED FISHES IN SOUTH BANGKA REGENCY, INDONESIA	135
<i>Kurniawan, Arthur Farhaby, Siti Aisyah, Siti Gustomi</i>	
DAMAGE INTENSITY OF PEPPER STEM-BORER (LOPHOBARIS PIPERIS) ON DIFFERENT WEED CONTROL IN BANGKA BELITUNG ARCHIPELAGO PROVINCE	143
<i>Tri Lestari, Rion Apriyadi, Abdul Husein</i>	
OPTIMIZATION OF SORGHUM CULTIVATION (SORGHUM BICHOLOR) WITH AMELIORANT ADDITION IN THE POST-TIN MINING OF BANGKA, INDONESIA	148
<i>Tri Lestari, Rion Apriyadi, Ismul Aan</i>	
ANALYSIS INCENTIVE OR DISINCENTIVE PERCEPTION ON FISHERMAN OCEAN NORTH EAST JAVA	152
<i>Muhammad Madyan, Gigih Prihantono</i>	
THE POLITICAL LAW MANAGEMENT OF THE SEA AND COASTAL AREA IN INDONESIA	156
<i>Jeanne Manik</i>	
THE EXIGENCY OF COMPREHENSIVE MARITIME POLICY TO MATERIALIZE AND IMPLEMENT INDONESIA'S GLOBAL MARITIME FULCRUM OBJECTIVE	160
<i>Nirmala Masilamani</i>	
SENDUDUK (MELASTOMA MALABATHRICUM L.) EXTRACT AS A GREEN-INDICATOR FOR MONITORING SHRIMP FRESHNESS	165
<i>Alieftia Noor, Evi. J, Safitri Mustari, Afriani Aisyah, Tiandho Fitri, YuantTiandho</i>	
SODIUM ALGINATE EXTRACTION FROM BROWN SEAWEED (TURBINARIA CONOIDES) AND ITS STRUCTURAL PROPERTY AS BIPOLYMER ELECTROLYTE	168
<i>Nurhadini, Yudi Setiawan, Ristika Oktavia Asriza, Anggraeni</i>	
URBAN ISLAND CONCEPT AND THE RELEVANCE FOR ARCHIPELAGIC STATES: CASE OF AMBON CITY-MALUKU PROVINCE	171
<i>Andiah Nurhaeny, Miming Miharja, Pradono</i>	
HYDRO-OCEANOGRAPHY MODELLING CHARACTERISTIC (TIDES, WAVES, AND CURRENTS) IN KELABAT BAY, BANGKA BELITUNG	176
<i>Aditya Pamungkas, M. Arthur Farhaby</i>	
SELECTION OF BANGKA LOCAL GROUNDNUT (ARACHIS HYPOGAEA L.) GERMPLOSM TOLERANT TO DROUGHT STRESS	181
<i>Gigih Ibnu Prayoga, Ropalia, Anggraeni</i>	
POTENTIAL FOR THE DEVELOPMENT OF ECOTOURISM OF BEGADUNG ISLAND, BANGKA REGENCY	186
<i>Hartuti Purnaweni, Kismartini, Hesti Lestari</i>	
TOURISM INFORMATION SYSTEM FOR KOTA KAPUR VILLAGE AS ISLAND AND HISTORICAL DESTINATION	189
<i>Ghiri Basuki Putra, Rudy Kurniawan</i>	
LEGAL RESTORATION ERADICATION OF ILLEGAL FISHING TOWARDS SOVEREIGNTY AT SEA	194
<i>Derita Prapti Rahayu, Sulaiman, Esmi Warasshi, M. Adli Abdullah, Yokotani</i>	

ILLEGAL ASYLUM SEEKERS THROUGH SEA AND EXPLOITATION OF INDONESIAN CHILDREN WORKING ON SHIP TO AUSTRALIA	198
<i>Erna Ratmaningsih</i>	
EMPIRICAL INVESTIGATION OF MOMPREENEUR BIG FIVE PERSONALITY PLUS IN PANGKALPINANG CITY.....	204
<i>Reniaty, Nasikh</i>	
FACTORS THAT AFFECT THE DEVELOPMENT OF TOURISM ON THE BELITUNG ISLAND.....	209
<i>Reniaty, Endang Bidayany, Khairiansyah</i>	
DESIGNING PEPPER PEELER MACHINE WITH CRUSHER SYSTEM TO SUPPORT PEPPER PROCESSING IN ARCHIPELAGO	213
<i>Firly Rosa, Rodiawan</i>	
DIVERSITY RELATION BETWEEN SOIL MESOFAUNA AND C-ORGANIC CONTENT IN PEPPER PLANTATION AREA, PETALING, BANGKA BELITUNG ISLANDS	218
<i>Ratna Santi, Riwan Kusmiadi, Deni Pratama, Robiansyah</i>	
PARTICIPATION INCREASING COMMUNITY STRATEGY IN PLANNING DEVELOPMENT OF PETALING BANJAR VILLAGE DISTRICT BANGKA	224
<i>Putra Pratama Saputra, Sujadmi, Luna Febriany</i>	
EXPONENTIALLY WEIGHTED MOVING AVERAGE (EWMA) IN PT ASTRA AGRO LESTARI TBK AND PT ANEKA TAMBANGTBK.....	229
<i>Darman Saputra, Hidayaty, Sumar, Khairiansyah</i>	
MONITORING OF LAND COVER CHANGES IN MINE ENVIRONMENT.....	231
<i>Suci Puspita Sari, Aditya Pamungkas</i>	
EXTENSIVE INTERPRETATION OF CORPORATE LIABILITY IN THE CRIME OF ILLEGAL FISHING IN INDONESIA	236
<i>Shidarta</i>	
ACTION AGAINST AND PUNISHMENT FOR ILLEGAL FISHING INFLICTINGFINANCIAL LOSSES TO THE STATE.....	241
<i>Ahmad Sofyan</i>	
THE FECUNDITY OF FRESHWATER PRAWN(MACROBRACHIUMROSENBERGII) IN MENDUK RIVER, BANGKA, BANGKA BELITUNG.....	247
<i>Eva Utami, Okto Supratman</i>	
THE IINFLUENCE OF TRIPLE TRACK STRATEGIES IN DEVELOPING TOURISM AGAINST ECONOMIC GROWTH PROVINCE BANGKA BELITUNG ISLAND.....	250
<i>Devi Valeriany, Desy Yuliany Dalimunthe, Eka Fitriyanty, Ineu Sulistiana</i>	
RED TOURISM: PROSPECT OF PURI TRI AGUNG PAGODA AS ALTERNATIVE TOURISM DEVELOPMENT ON BANGKA ISLAND.....	255
<i>Devi Valeriany, Aning Kesuma Putri</i>	
MICE MODEL: ARTIFICIAL TOURISM POTENTIAL	261
<i>Nanang Wahyudin, Sandy Pratama, Echo Perdana Kusumah</i>	
IDENTIFICATION OF MICRO, SMALL, AND MEDIUM ENTERPRISE TECHNOLOGY (MSMES).....	265
<i>Dian Prihardini Wibawa, Muhammad Tanggung, Maya Yusnita, Christianingrum</i>	
CHARACTERIZATION OF BRIQUETTES FROM RUBBER SEED SHELL AND STEM OF SENGGANI.....	270
<i>Ekasa Sari Wijayanty, Saparin</i>	
WOMEN WORKING HOURS AS A FAMILY ECONOMIC STABILIZATION (STUDY ON PEPPER FAMERS IN DELLAS VILLAGE, AIR GEGAS SUB DISRTRIC, SOUTH BANGKA REGENCY).....	275
<i>Ayu Wulandary, Aning Kesuma Putri, Yulia</i>	
THE STRATEGIC ARCHITECTURE TO FACILITATE SMALL AND MEDIUM ENTERPRISE GROWTH “RAJA ABON MAKMUR LESTARI” PANGKAL PINANG CITY.....	279
<i>Yulia, Fika Dewi Pratiwi, Rufti Puji Astuti</i>	
EVALUATION OF ACCOUNTABILITY AND EFFECTIVENESS OF VILLAGE FUND IN THE VILLAGE OF AIKPELEMPANG JAYA DISTRICT BELITUNG	287
<i>Anggraeni Yunita, Christianingrum</i>	
COASTAL DYNAMIC, NITRATE (NO3-) PHOSPHATE (PO4-) AND PHYTOPLANKTON ABUNDANCE AT MORODEMAK NORTH JAVA SEA INDONESIA	291
<i>Muh Yusuf</i>	
TIN MINING AND POLITICAL TERRITORY OF LOM INDIGENOUS PEOPLE IN BANGKA BELITUNG, INDONESIA.....	295
<i>Iskandar Zulkarnain, Endriatmo Soetarto, Satyawan Sunito, Soeryo Diwibowo</i>	

ENERGY SELF-SUFFICIENT VILLAGE (ESSV) PROGRAM: AN OPPORTUNITY FOR COASTAL DEVELOPMENT	301
<i>Elok Faiqotul Mutia, Yusuke Hgaki</i>	
DETERMINATION OF PRIMARY TIN ZONE USE GRAVITY METHOD IN TANJUNG GUNUNG VILLAGE CENTRAL BANGKA REGENCY	305
<i>Tina Puspita Sari, Mardiah, Guskarnali</i>	
CHARACTERISTICS IDENTIFICATION OF GREEN OPEN SPACE IN KELURAHAN MANAHAN, KOTA SURAKARTA	309
<i>Intan Muning Harjanti, Laras Safira</i>	
ANALYZE TRAVEL COSTS VARIOUS KINDS' MARINE TOURISM TRANSPORT MODES OF COASTAL COMMUNITY IN KARIMUNJAWA ISLAND	316
<i>Mohd Ridwan, Muhammad Zainuri, Sunarso Sugeng, Sulaiman Sulaiman</i>	
FLOATING EQUIPMENT MODEL USING ANCO FISHING OPERATION FOR POOR BEDONO FISHERMEN, (SAYUNG, DEMAK, CENTRAL JAVA)	319
<i>Sunarso Sugeng, Eko Julianto Sasono, Budi Utomo, Zulfaidah Aryani</i>	
MECHANICAL TEST OF GIGANTOCHLOA APUS BY DRYING	323
<i>Bambang Sri Waluyo, Mohammad Ridwan, Muhammad Zainuri</i>	
THE PRELIMINARY STUDY TO REMOVING OIL CONTENT IN CONDENSATE STEAM OF GLAND SEAL SYSTEM WITH ACTIVATED CARBON	327
<i>Bagus Prakoso</i>	
COMPRESSION TEST OF BAMBOO LAMINATED (DENDROCALAMUS ASPER AND GIGANTOCHLOA APUS) IN ACCORDANCE WITH LONGITUDINAL FOR THE BEST PLIABILITY MATERIAL AT GLIGEN SECTION (PART OF ANCO)	332
<i>Solicin Djazuli Sa'Id, Bambang Sri Waluyo, Sarwoko Sarwoko, Samuel Febriary Khristyson</i>	
TRACES OF TASRIPIN LANDLORDS IN KAMPONG KULITAN AND SURROUNDING AS POTENTIAL OF CULTURAL TOURISM	335
<i>Sukawi, Gagoek Hardiman, Siti Rukayah</i>	
MATERIALS ANALYSIS OF ENGLISH FOR TOURISM HANDBOOKS	340
<i>Girindra Putri Ardana Reswari</i>	
COMMUNITY-BASED WASTE MANAGEMENT STRATEGY: A NOTE ON COMMUNITY EMPOWERMENT LEVEL IN SUPPORTING WASTE BANK AT SEMARANG CITY, INDONESIA	344
<i>Anantisa Atyadhisti, Sarifudin Sarifudin</i>	
REFRIGERATED SEA WATER (RSW) FOR HANDLING OF FISH CATCHES	350
<i>Bambang Sri Waluyo, Budi Utomo, Sarwoko Sarwoko, Untung Budiarto</i>	
LONGITUDINAL TENSILE TEST OF BAMBOO LAMINATION (DENDROCALAMUS ASPER AND GIGANTOCHLOA APUS) FOR GLIGEN PART (ANCO/LIFT NET FISHING TOOLS)	355
<i>Sulaiman Sulaiman, Muhammad Ridwan, Suharto Suharto</i>	
STRENGTH ANALYSIS OF VESSEL SHIP TYPE PBL CONVERSION FROM BARGE	362
<i>Budi Utomo, Budi Santoso</i>	
THE EFFECT OF LACTOBACILLUS SALIVARIUS I-11 ON MICROBIAL POPULATIONS OF PELLET DUCK FEED	366
<i>Sri Sumarsih, Bambang Sulistiyanto</i>	
AN AUTOMATIC PH EQUIPMENT FOR HYDROPONIC SYSTEM USING ATMEGA328P MICROCONTROLLER	371
<i>Dedi Nugroho, Priyono Priyono, Jatmiko Endro Suseno</i>	
TOTAL PLATE COUNT (TPC) ANALYSIS OF PROCESSED GINGER ON TLOGOWUNGU VILLAGE	375
<i>Fahmi Arifan, Sri Winarni, Wahyuningsih Wahyuningsih, Isti Pudjihastuti, Rtd Wisnu Broto</i>	
PROMOTION STRATEGY IN GRAND MERCURE MEDAN ANGKASA HOTEL BY SWOT ANALYSIS	378
<i>Riandhita Eri Werdani, Nurul Imani Kurniawati, Ghozian Aulia Pradhana, Treicy Putri Hagana Ginting</i>	
THE IDENTIFICATION OF RISK FACTORS OF DELAY ON THE ROAD CONSTRUCTION PROJECT IN INDONESIA	382
<i>Asri Nurdiana, Mohamad Agung Wibowo, Yulian Fundra Kurnianto</i>	
MITIGATION DISASTER AT DRAINAGE BASIN OF AIR DINGIN PADANG CITY	386
<i>Lusi Utama, Amrizal Saidi, Isril Berd, Zuherna Mizwar</i>	
THE DEFINITION OF POVERTY TOURISM	390
<i>Ghozian Aulia Pradhana</i>	

DESIGN AND STUDY OF SPINNER MACHINE PEFORMANCE THROUGH SIMULATION AND PROXIMATE ANALYSIS OF SEPAKUNG VILLAGE-SPECIALITY PEGAGAN LEAF (CENTELLA ASIATICA) CHIPS	394
<i>Suryanti Suryanti, Suzanna Ratih Sari, Imam Setiono, Fahmi Arifan, Rtd Wisnu Broto</i>	
STRATEGY TO PROVIDE THE FEASIBLE AND AFFORDABLE HOUSING FOR INDUSTRIAL LABOR IN SEMARANG BY SWOT ANALYSIS	397
<i>Zulinar Irfiyanti, Asnawi Manaf</i>	
Author Index	

[PROCEEDINGS](#) | [JOURNALS](#) | [BOOKS](#)

Search

Series: [Advances in Engineering Research](#)

Proceedings of the International Conference on Maritime and Archipelago (ICoMA 2018)

PUBLISHING INFORMATION

Bibliographic information:

Title

Proceedings of the International Conference on Maritime and Archipelago (ICoMA 2018)

Editors

Prof. Dr. Hadiyanto

Prof. Dr. Budiyo

Dr. Ibrahim

Part of series

[AER](#)

Volume

167

ISSN

2352-5401

ISBN

978-94-6252-785-0

Indexing

All articles in these proceedings are submitted for indexation in **CPCI**, **CNKI** and **Google Scholar**. Optionally, we also submit to **Compendex** and **Scopus**. Note that in case you need information about the indexation of these proceedings, please check with the organizers of the conference as we cannot reply to messages received from participants.

Free Access

In order to increase the visibility of this conference and of the papers from its participants, this conference has chosen to sponsor the online publication of the conference papers. Therefore, all conference papers can be read and downloaded **for free**; no subscription or other payment is required.

Copyright

The copyright of all articles published in these proceedings remains with the **Authors** i.e

The copyright of all articles published in these proceedings remains with the Authors, i.e.

Authors retain full ownership of their article. Permitted third-party reuse of the open access articles is defined by the applicable **Creative Commons (CC)** end-user license which is accepted by the Authors upon submission of their paper. All articles in these proceedings are published under the **CC BY-NC 4.0** license, meaning that end users can freely **share** an article

(i.e. copy and redistribute the material in any medium or format) and **adapt** it (i.e. remix, transform and build upon the material) on the condition that proper **attribution** is given (i.e. appropriate credit, a link to the applicable license and an indication if any changes were made; all in such a way that does not suggest that the licensor endorses the user or the use) and the material is only used for **non-commercial** purposes. For more information, please refer to the [Open Access and User Licenses](#) section in the Atlantis Press [Open Access & Article Sharing](#) policy.

DOIs

Each article that is published in these proceedings is assigned a **Digital Object Identifier (DOI)**. DOIs are standardized digital identities which can be used to cite and link to electronic content. A DOI is guaranteed to never change, so can be used as a persistent identifier to permanently link to an electronic article no matter where it is stored. More information on how to cite and use DOIs can be found [here](#).

Permanent Archiving

Atlantis Press is committed to the **permanent availability** and **preservation** of scholarly research and to ensure **accessibility** to this research by converting and upgrading digital file formats to comply with new technology standards. Besides maintaining its own digital archive, Atlantis Press therefore collaborates with the [National Library of the Netherlands](#) which permanently archives all Atlantis Press content in their "**e-Depot**". All proceedings are uploaded to this e-Depot after publication to guarantee permanent archiving of the articles.

Print Copies

In case you wish to have **printed copies** of these proceedings you can order these directly from our partner [Curran Associates](#).

Atlantis Press

Atlantis Press is a professional publisher of scientific, technical and medical (STM) proceedings, journals and books. We offer world-class services, fast turnaround times and personalised communication. The proceedings and journals on our platform are Open Access and generate millions of downloads every month.

For more information, please contact us at: contact@atlantis-press.com

▶ PROCEEDINGS

▶ ABOUT

▶ JOURNALS

▶ NEWS

▶ BOOKS

▶ CONTACT

▶ PUBLISHING SERVICES

▶ SEARCH

[Home](#) [Privacy Policy](#) [Terms of use](#)



Copyright © 2006-2021 Atlantis Press

Design and Study of *Spinner* Machine Performance through Simulation and Proximate Analysis of Sepakung Village-Speciality Pegagan Leaf (*Centella asiatica*) Chips

Suryanti

Department of Aquatic Resources
Management
Diponegoro University
Semarang, Indonesia

Suzanna Ratih Sari

Department of Architectural
Engineering
Diponegoro University
Semarang, Indonesia

Imam Setiono

Diploma of Electrical Engineering
Diponegoro University
Semarang, Indonesia

Fahmi Arifan

Chemical Engineering Diploma
Diponegoro University
Semarang, Indonesia
fahmiarifan80@gmail.com

RTD Wisnu Broto

Chemical Engineering Diploma
Diponegoro University
Semarang, Indonesia

Abstract— Sepakung Village is a tourism village in the rural area of Semarang Regency which provides various farm products such as rice, coffee, brown sugar, vegetables and processed product, Sepakung Village-specialty pegagan leaf (*Centella asiatica*) chips. In the production chain of pegagan leaf chips, one of the influencing factors towards the storability or shelf-life is the cooking oil content within the packaged product, in which the excess cooking oil content should be minimized. A design of 3-kg capacity onefold *spinner* machine is introduced as 2D and 3D model and simulated using Solidworks software to determine the individual parts' strength and recommended material through creative and weighted objective method. After utilization of the *spinner*, the cooking oil and final nutrient contents are analyzed before and after the process by the duration of spinning time from 0 to 60 minutes. The cooking oil drained or removed from the chips were analyzed descriptively, while the data is analyzed using ANOVA to determine the effective spinning time. The result shows that the spinning duration had an effect toward the removed cooking oil content in which the graphical approach shows an exponential curve between the spinning duration and cooking oil content. The effective spinning duration is achieved at 30 minutes in which the product cooking oil content is at its lowest and highest difference compared to the previous results.

Keywords— *design, spinner machine, oil content*

I. INTRODUCTION

The development of small industrial centers in several parts of Indonesia is increasingly becoming a special attraction for the community. One of them is in the Sepakung Village industry center which produces various kinds of agricultural products such as rice, coffee, palm sugar, vegetables, as well as home-based industrial products, one of which is a speciality product of Desa Sepakung, pegagan leaf chips. The ever-increasing food

market growth demands high quality and quantity from the industrial production of pegagan leaf chips [1].

The production process that uses traditional method still has problems in reducing the level of cooking oil in products that are ready to be packed. Excessive cooking oil content causes a rancid smell and the shelf life of the product becomes shorter [2]. Some respondents also want the product to have a minimum oil content so that an effort is needed to reduce the content of cooking oil from this pegagan leaf chips product.

Based on this background, a simple *spinner* machine is designed to be suitable for home industries [3]. The function of this *spinner* machine is to reduce the cooking oil content in fried foods using centrifugal force. Snacks supplied in the oil *spinner* tube is pushed so the oil will be drained out through the tube hole and held on the outside part of the drain tube. To test the effectiveness of the *spinner* machine, the content of cooking oil in the product was analyzed before and after the use of a slicing machine in several time ranges to determine the optimum time of the oil draining process.

II. RESEARCH METHODOLOGY

This research was conducted in three stages, the first stage was survey and problem identification aimed to find out the obstacles in the Pegagan chips industry through interviews with business owner. The second stage is the process of designing and manufacturing simple *spinner* machine using Solidworks application in 2D and 3D. The next stage is product analysis before and after the use of a *spinner* machine to determine the effectiveness of the machine itself. The results of the research data were processed using ANOVA (Analysis of Variance) method to determine the optimum time for the process of draining cooking oil.

The survey and identification of problems were carried out in July 2018 in the Srikandi Micro Small Medium Enterprises (UMKM) as producers of the Sepakung Village speciality pegagan leaf chips. Data problems and production capacity requirements from the business owner are then realized in the design of a spinner machine.

The oil slicing machine is designed using Solidworks applications in 2D and 3D and strength analysis with Solidworks simulation which is then adjusted to the material needs and tool capacity of the survey and identification results [3]. The tool was designed and produced in August 2018 which was then applied to the production of pegagan leaf chips.

Product analysis before and after the draining process was carried out at 0, 10, 20, 30, 40, 50, 60 minutes and a spinner speed of 500 rpm using oil extraction method with n-hexane [4]. The data was processed by ANOVA method with and without the use of spinner machine which were displayed in graphical form. The optimum time is obtained when the oil content has reached the stationary point or when there is no significant change compared to the cooking oil content from the previous analysis.

III. RESULT AND DISCUSSION

From the interview results of business owner, the problem experienced is the excessive cooking oil content in pegagan leaf chips which causes a shorter shelf life of products. Pegagan leaf chips production process reaches approximately 10 kilograms per day which requires a tool capacity of around 3 kg with a maximum power of home industry energy consumption of 900 watts. With this research method, the design concept is obtained as shown in Figure 1.

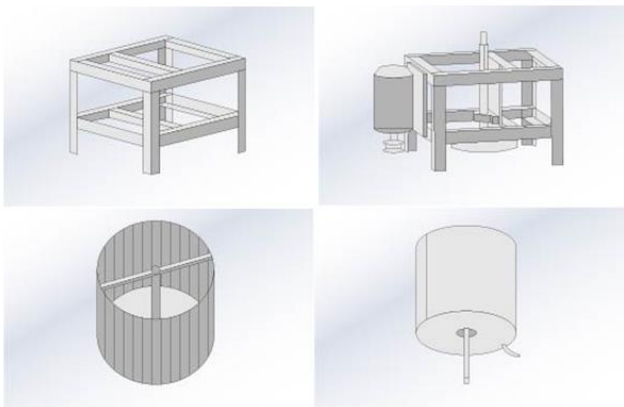


Fig. 1. Design of spinner machine parts

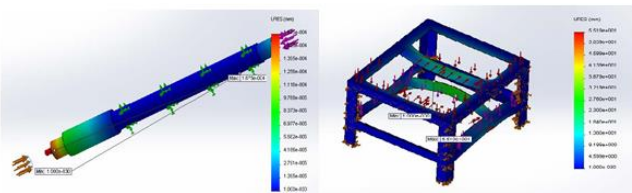


Fig. 2. Strength simulation of spinner machine's main parts

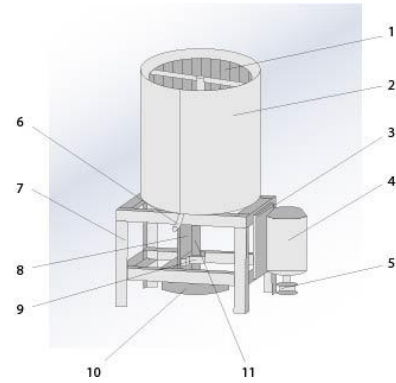


Fig. 3. Spinner machine parts



Fig. 4. The result of spinner machine assembly

The parts and functions of the spinner machine are listed in Table 1.

TABLE 1.

No	Spinner Machine Parts	
	Part	Function
1	Spinner tube	Serves as a place for oily products to be placed and rotated
2	Spinner cover	Closing the spinner tube part that rotates and holds the filtered oil
3	Motor base	Electric motor seat holder
4	Electric motor	Spinner tube drive motors are connected with pulleys and belts
5	Motor pulley	The part that is rotated directly by an electric motor
6	Outlet pipe	The oil exit pipe is filtered and collected on the cover of the spinner
7	Machine frame	Base of the machine parts
8	Pillow block base	Pillow block seat holder
9	Pillow block	Shaft bearing from the spinner machine
10	Spinner tube pulley	The part connected with an electric motor pulley to drive the spinner tube
11	Main shaft	The shaft that rotates the spinner tube directly connected to the pulley circuit and the electric motor

Based on the strength analysis carried out by Solidworks simulation in Figure 2., the shaft and frame parts of the machine are the main parts with a fairly high pressure. However, the shaft section experiences the highest pressure at the base compared to the pressure on the frame which tends to be fairly even. The whole spinner machine design was obtained as shown in Figure 3. It was designed with Aluminum metal as a machine frame material and Stainless Steel as shaft material and rotating components to maintain product quality and prevent rust on the machine as shown in Figure 4 [3]. The electric motor used is the Single Phase Electric Dynamo Type B with the power consumption of 200 watts of maximum speed of 2800 rpm which is then set to 500 rpm to prevent damage to the chips.

Analysis of cooking oil content on pegagan leaf chips product is done by oil extraction method with n-hexane solvent by weighing the mass of the sample after extraction and the mass of the sample before extracting at a certain time. The results of the analysis obtained are processed in graphical form as Figure 5.

The product cooking oil content before treatment was in the range of 53.5%. After the use of spinner machine, a significant decrease in cooking oil content between 0 and 60 minutes reached 19.3%. In pegagan leaf chips products without the use of a slicing machine, the product is left in a closed container with the same capacity. Obtained cooking oil content without the use of a spinner machine which tended to decrease but linearly with the content in the 60th minute was 42.7%. Statistical data to compare changes in cooking oil content can be seen in Table 2.

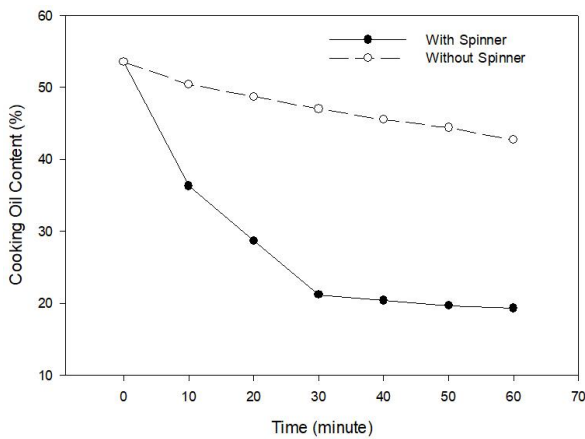


Fig. 5. The content of cooking oil in pegagan leaf chips with time variations with and without the use of a spinner machine

TABLE 2.

Time (minute)	With Spinner (%)	Without Spinner (%)	Comparison
0	53.5	53.5	-
10	36.3	50.4	5.5
20	28.7	48.7	6.2
30	21.2	47.0	7.4
40	20.4	45.5	1.1
50	19.7	44.4	1.4
60	19.3	42.7	0.5

Based on the comparison obtained at each time of draining, the comparison of the difference in oil content with oil content without the use of the machine showed the highest value in the use of oil draining machines for 30 minutes reaching 7.4 times with cooking oil content of 21.2%. This comparison shows the effectiveness of using a slicing machine. The use of a slicing machine gives a change in the oil content which when compared to changes in oil content without the use of the engine, the optimum time is determined by the highest ratio, in which the study was 30 minutes.

In the use of a spinner machine exceeding the optimum time, the ratio of cooking oil content to pegagan leaf chips was smaller than the comparison in the previous minute. This shows that the decrease in cooking oil content with the use of the machine over the optimum time is smaller than the decrease in cooking oil content without the use of a spinner machine

IV. CONCLUSION

Based on the research and discussion that has been carried out, there is a problem identification data that is sufficient to be used to design and assemble a onefold oil cutting machine with a capacity of 3 kg with a 200 watt energy requirement and a 500 rpm rotation speed. The use of a spinner machine in the oil draining of Sepakung Village speciality pegagan leaf chips requires an optimum time of 30 minutes with a cooking oil content of 21.2%. The use of a slicing machine at the time before and beyond the optimum time gives less optimal results.

ACKNOWLEDGMENT

The author is grateful to the KKN (Community Service) Team and the chairman of the research and community service at Diponegoro University. DIKTI for funding PPDM and the community and the Sepakung Village UMKM.

REFERENCES

- [1] Agustiar, "Analisis Produksi Optimum pada Industri Keripik Singkong (Studi Kasus pada Industri Keripik Singkong Rajawali di Desa Rundeng Kecamatan Joha Pahlawan Kabupaten Aceh Barat)," *Jurnal Ilmu Pertanian Indonesia* 16(3), 209-217, 2012.
- [2] Hamimi, Tamrin, and Sri, S. "Uji Kinerja Mesin Peniris Minyak Goreng pada Pengolahan Keripik," *Jurnal Teknologi dan Industri Hasil Pertanian* 16(1), 91-100, 2011.
- [3] Sugeng, W. Luddy, I, P, and Paulus, W, A. "Perancangan Mesin Peniris untuk Aneka Makanan Ringan Hasil Gorengan," *Prosiding Seminar Nasional Multi Disiplin & Call for Papers Unisbank ke-2*, 347-355, 2016.
- [4] Pamila, C. Rika, N. Fauzan, A, "Proses Ekstraksi Biji Bunga Rosella," *Jurnal Teknik Kimia* 2(17), 1-8.