

Research Article

Effect of Geometry Generator Variation Design 12 Slot 8 Pole on Power Efficiency Design

Windarto J*, Sudjadi, Karnoto, Sukmadi T, Santoso I and Desmiarti A

Abstract

The development of generator technology continues to improve from year to year. The scope of such improvement varies from the shape, design, size, the usage of material, and even regarding to the efficiency of the generator output power. However, the role of the software to design such electric machinery in the improvement of generator technology development should not be ignored. So before designing and manufacturing the electric machines, especially generators, it is important to know the specifications of materials which are needed in the design of the generator, regarding the initialization of each constituent part of the generator for example, in the pre-design process of a 12 slot 8 pole generator is a must.

Keywords

Output power; Input power; Efficiency

Introduction

The development of generator technology continues to improve from year to year. The scope of such improvement varies from the shape, design, size, the usage of material, and even regarding to the efficiency of the generator output power. However, the role of the software to design such electric machinery in the improvement of generator technology development should not be ignored. So before designing and manufacturing the electric machines, especially generators, it is important to know the specifications of materials which are needed in the design of the generator, regarding the initialization of each constituent part of the generator. Therefore, it is expected that further research could be able to provide such information regarding the materials needed to build the generator. Many prior researches and studies used Trial and Error methods, especially here in Indonesia. The method in other words means to directly work on the building process of the generator that has been designed mathematically. This is based on the assertions made for example, the geometric design which is used. Then came the idea of designing a generator with the help of software, such as, Magnet to create the simulation of the generator. While manufacturing or designing a generator, one must determine the ideal efficiency value of the generator so as to be able to reach the desired target value. In designing a generator using electromagnetic software, such as Infolytica, there are many aspects that need to be

considered, either before or during the design process. It's because many parameters use equations which needs to be calculated when designing the generator [1-5]. The width of the air gap is one of the parameters that uses equation because the air gap will later affect the output and performance of the generator.

Modeling and Simulation

Pre design 12 slot 8 pole generator

The design drawing is the stage to draw the geometric shapes of the stator, rotor, slot, air gap width, and determining the appropriate magnet layout so that it will produce a good sinusoidal signal. Design drawings can be done directly using software such as Magnet Infolytica, as well as CAD software, Solid work, Inventor and AutoCAD. Figures 1 and 2 shows a generator design made using Infolytica software.

Generator testing variation: As for the initialization of material for each part, the value of the diameter of each part is very influential to the generated output value (Table 1). We used three variations of value (mm) in the rotor, stator, teeth, and magnet.

1. Variations of Stator Geometry (Table 2)
2. Variations of Teeth Geometry (Table 3)
3. Magnetic Geometry Variations (Table 4)
4. Variations of Rotor Geometry (Table 5)

Model simulation

Simulation is used to determine the angle value of the rotor movement, two methods of calculation are performed respectively.

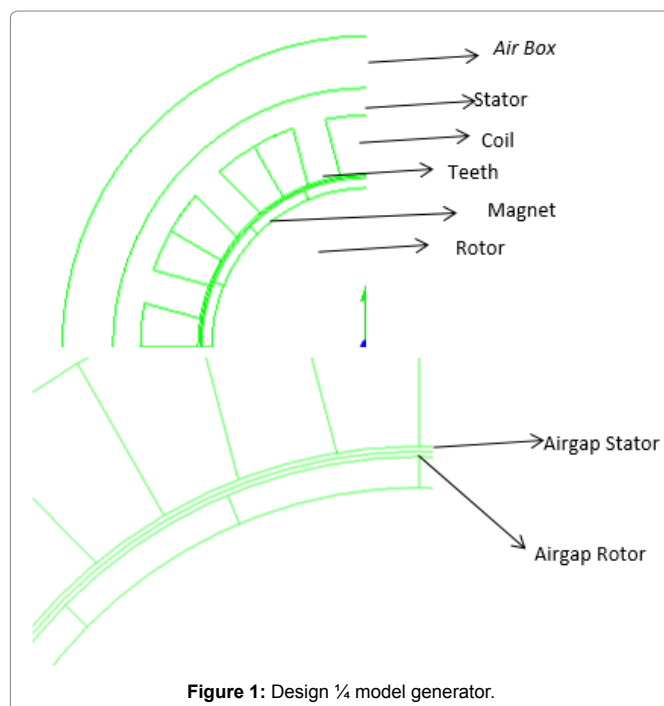


Figure 1: Design 1/4 model generator.

*Corresponding author: Windarto J, School of Electrical Engineering, Diponegoro University, Semarang Indonesia, Tel: +(62) 82131048558; E-mail: jokowind@yahoo.com

Received: May 25, 2018 Accepted: June 12, 2018 Published: June 19, 2018

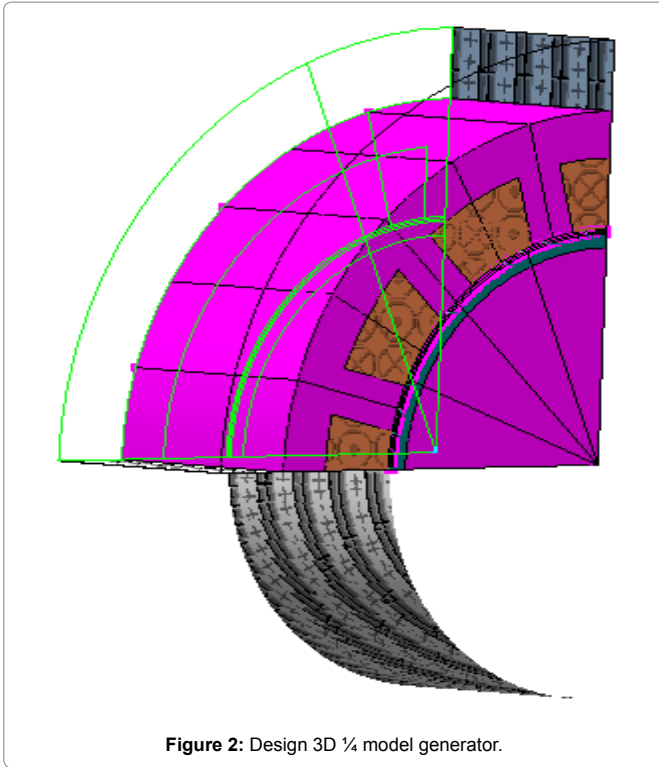


Figure 2: Design 3D ¼ model generator.

Table 1: Initialization on each part.

Part	Material
Airbox	AIR
Stator	Carpenter: Silicon steel
Coil	Copper: 5.77e7 Siemens/meter
Teeth	Carpenter: Silicon steel
Magnet	PM12: Br 1.2 mur 1.0
Rotor	Carpenter: Silicon steel
Airgap Rotor	AIR
Airgap Stator	AIR

Table 2: Size of each variation in the stator section.

Part	Size (mm)		
	Variation 1	Variation 2	Variation 3
Air box	90	90	90
Stator	65	75	85
Coil	67	67	67
Teeth	10	10	10
Magnet	49	49	49
Rotor	46	46	46
Air gap Rotor	49.5	49.5	49.5
Air gap Stator	50	50	50

Table 3: The size of each of the foreign variations in the teeth section.

Part	Size (mm)		
	Variation 1	Variation 2	Variation 3
Air box	90	90	90
Stator	75	75	75
Coil	67	67	67
Teeth	7	10	13
Magnet	49	49	49
Rotor	46	46	46
Air gap Rotor	49.5	49.5	49.5
Air gap Stator	50	50	50

Table 4: Size of each variation on the magnet.

Part	Size (mm)		
	Variation 1	Variation 2	Variation 3
Air box	90	90	90
Stator	74	75	76
Coil	66	67	68
Teeth	10	10	10
Magnet	48	49	50
Rotor	46	46	46
Air gap Rotor	48.5	49.5	50.5
Air gap Stator	49	50	51

Table 5: Size of each variation in the rotor section.

Part	Size (mm)		
	Variation 1	Variation 2	Variation 3
Air box	90	90	90
Stator	65	75	85
Coil	67	67	67
Teeth	10	10	10
Magnet	49	49	49
Rotor	46	46	46
Air gap Rotor	49.5	49.5	49.5
Air gap Stator	50	50	50

First, by determining the mechanical angle value (degree/ms) as in the mechanical equation, then continued by determining the electrical angle value (degree/ms), shown as follows

$$\theta_{mechanic} = \frac{360}{\text{Multiplicity from slot and pole generation}}$$

$$\theta_{electric} = \frac{\text{Pole}}{2} \times \theta_{mechanic}$$

From the above equation, it can be seen that when the magnitude of the mechanical movement for 12 Slot 8 Pole Generator is 15 degrees/ms, the electric movement is equal to 60 degrees/ms on 360 degree model. In the stop motion parameter, the stop time value of 0.015 s are being used because the design process of 12 slot 8 pole generator uses ¼ model. To determine the value of the sampling movement, however, it can be calculated using the following equation.

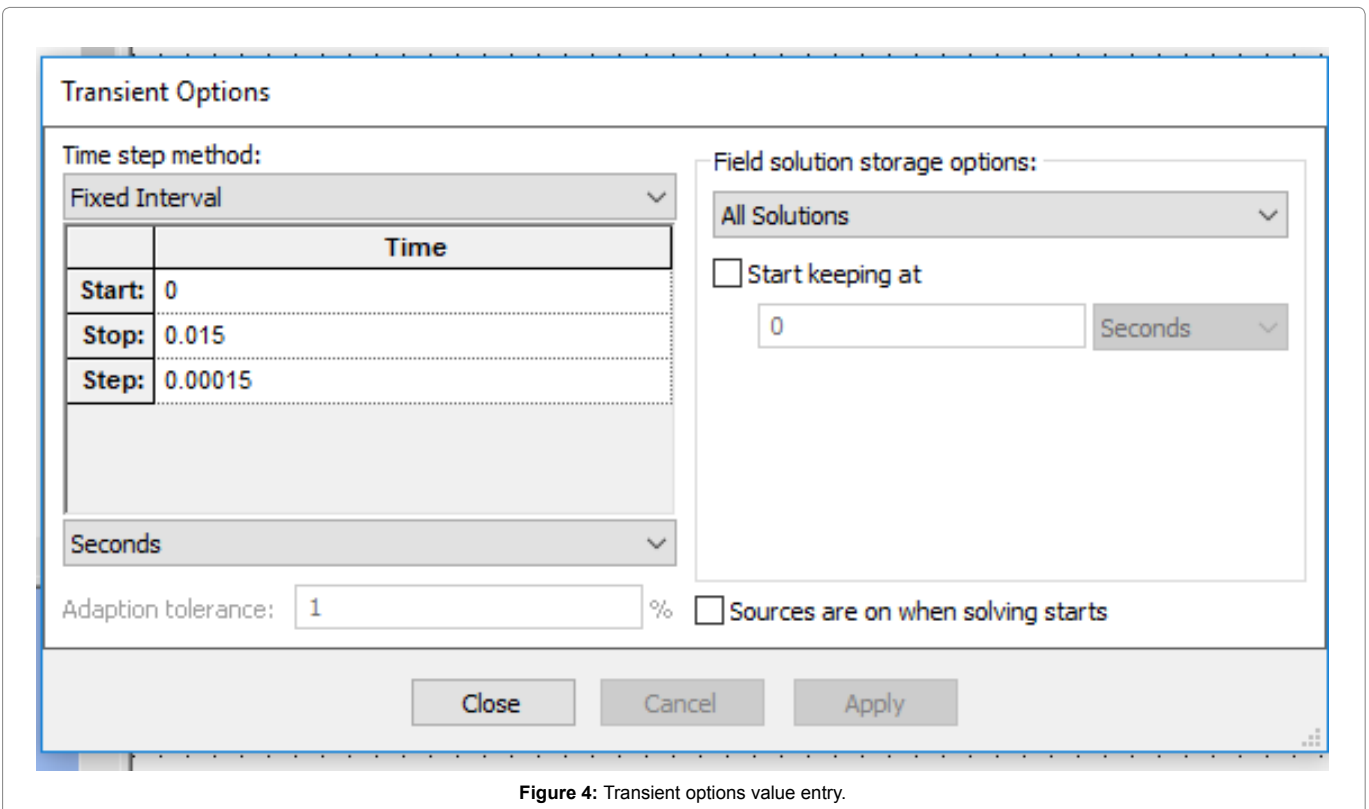
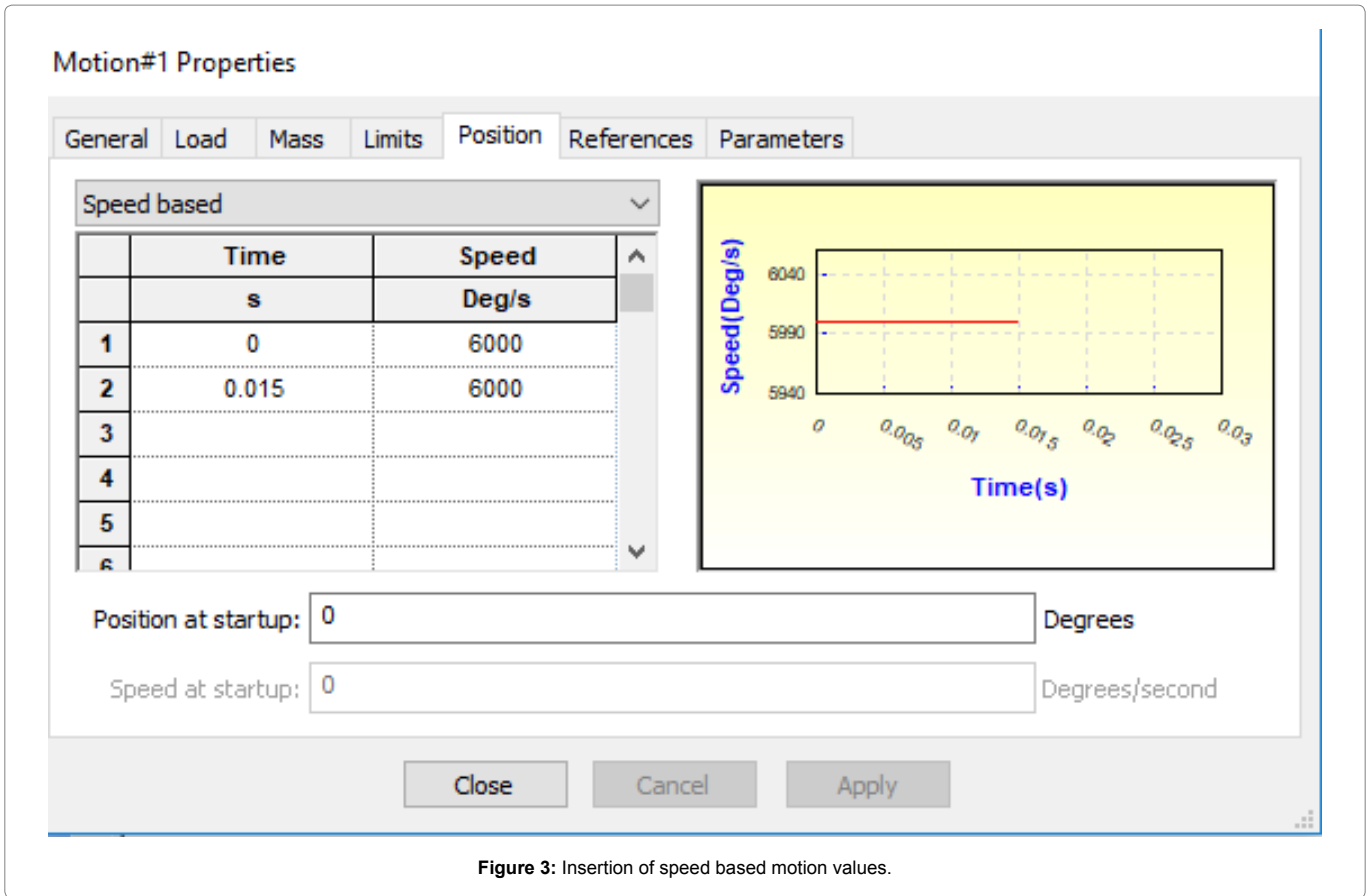
$$t_{\theta} = \frac{\theta_{mechanic}}{\sum \text{sampling data}}$$

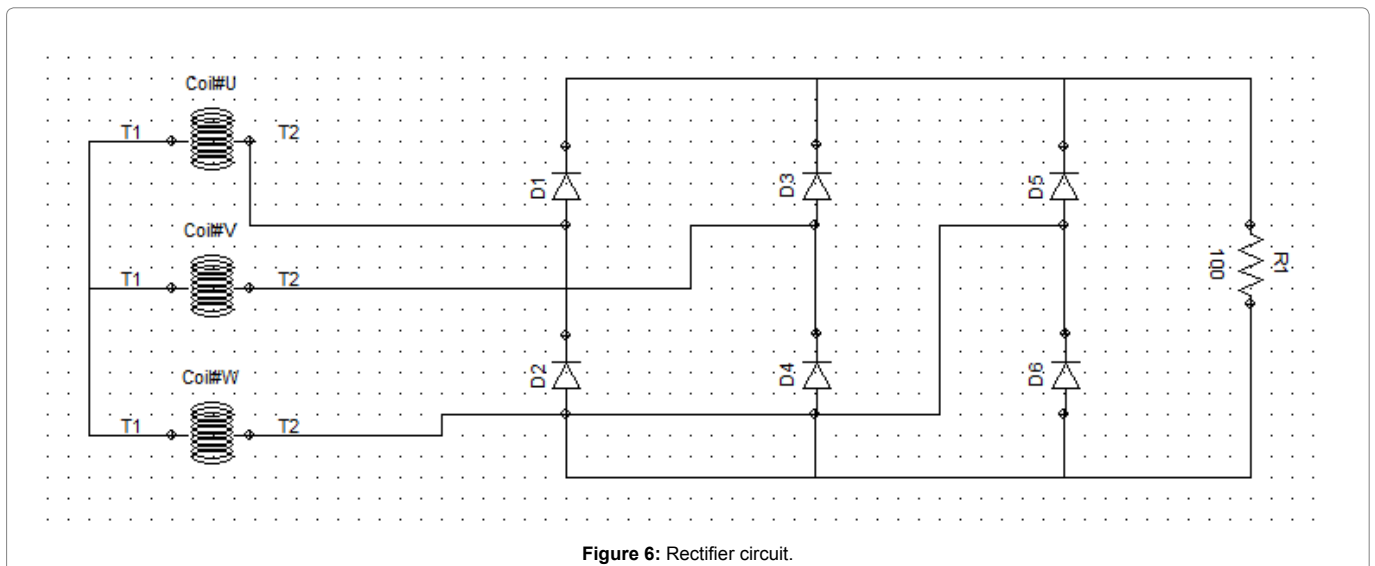
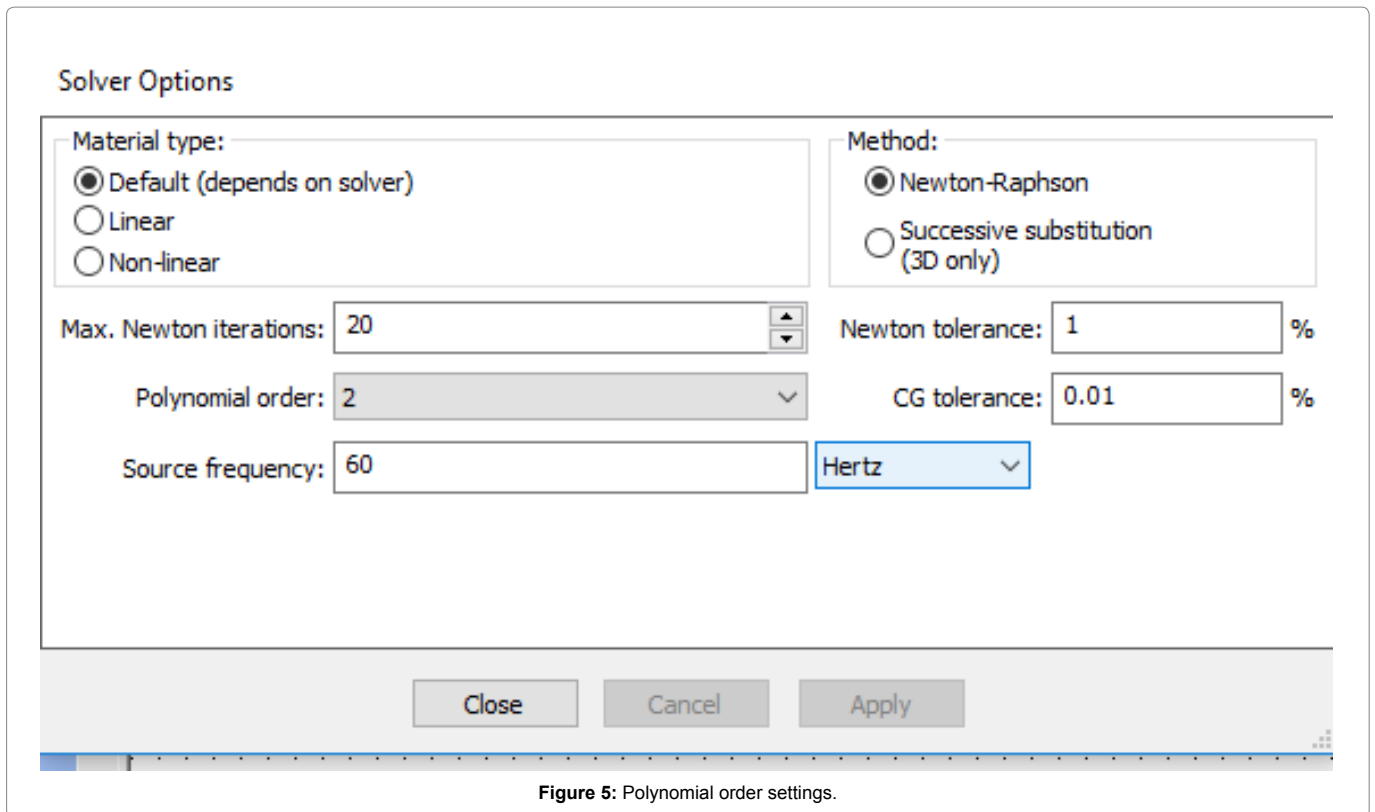
From the above equation using samples in total of 100 data, we obtained the step value of 0.00015 degrees/s. Before doing the simulation by rotating the rotor, there are some steps that need to be done so that the rotor can rotate automatically. First of all, we need to enter the value of the rotor movement which starts from 0 s and ends at 0.015 s where the movement of the rotor occurs along 90 degrees, as shown in Figure 3

Next, we need to enter the transient value with the initial value 0 s, and ends at 0.015 s where every 0.00015 s of rotor movement is being sampled until the movement to 90 degrees so that 100 data could be obtained, the process of transients are shown in Figure 4 .

Meanwhile, regarding the solve options parameters that needs to be set is the value of the Polynomial order to be used. Figure 5 shows the solve options setting screen.

The next process is the manufacture of rectifier circuit as shown in Figure 6. It is the step to make the circuit which is located in the generator coil, because every generator test using the Infolytica





Magnet Software uses different circuits, both for a loaded generator and a generator without load. Figure 6 shows a circuit which got 100 ohm load, using 50 loops where the junction voltage value for each generator is 0.7 V as shown by the Infolytica Magnet Software.

Result and Analysis

Results of simulation and data processing

The generator works by changing the inputs of rotational speed (radians per second) and torque (Newton meter), producing outputs of voltage (Volt) and current (Ampere). The

generator rotates with input through a shaft derived from the turbine. Input from the turbine in the form of turbine rotational speed, as well as the torque provided can be referred as mechanical power.

$$P_M = \omega * \tau$$

$$\omega = \left[\frac{\text{deg}}{\text{sec}} \right] * \left[\frac{2\pi}{360} \right]$$

Where

P_M : Mechanical Power (Watt)

ω : Angular Velocity (rad /s)

τ : Torque (Newton meter)

The Output Generator is the Current and Voltage of the resulting Flux and the installed load, which is referred to as electric power.

$$P_E = V * I$$

Where

P_E : Electric Power (Watt)

V : Voltage (V)

I : Current (Ampere)

The input power for the generator is mechanical power and its output power is electric power, therefore to perform efficiency calculation can use the following equation.

$$Efficiency (\%) = \frac{Power\ Electric\ Rate}{Power\ Mechanic\ Rate} \times 100 \%$$

Analysis from the result

Power output generator: The calculation of the output power of the data in the simulation is shown in Table 6. From Table 6 we get a comparison graph of output power in each variation of geometry as in Figure 7.

Power input generator: The calculation of the input power of the data in the simulation is shown in Table 7. From Table 7 we get a comparison graph of input power in each variation of geometry as in Figure 8.

Generator efficiency: The calculation of the efficiency of the simulated data in the simulation is shown in Table 8. From Table 8 we can see the comparison of efficiency values for each geometry variation as shown in Figure 9.

Table 6: Comparison results of output power of each part.

	Stator	Teeth	Magnet	Rotor
Variation 1	1.9040	1.2931	2.2962	1.4203
Variation 2	1.9489	1.9489	1.9489	1.9489
Variation 3	1.9496	2.1701	1.3926	2.5809

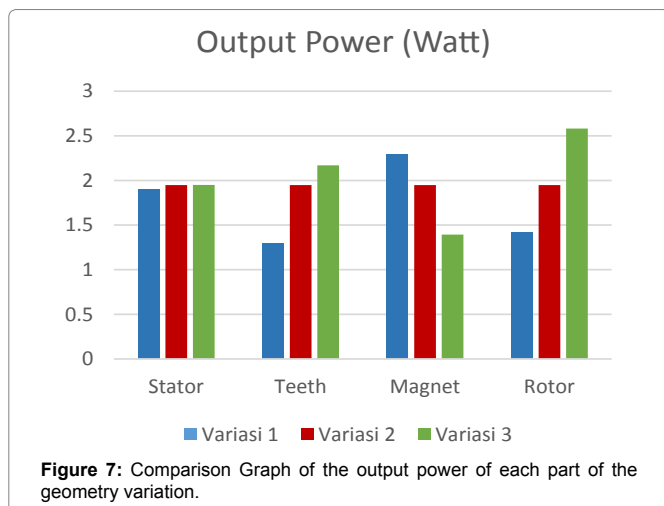


Table 7: Comparison results of input power of each part.

	Stator	Teeth	Magnet	Rotor
Variation 1	3.0525	3.2660	4.3696	1.4203
Variation 2	2.0478	2.0478	2.0478	1.9489
Variation 3	4.0951	4.4045	2.9442	2.5809

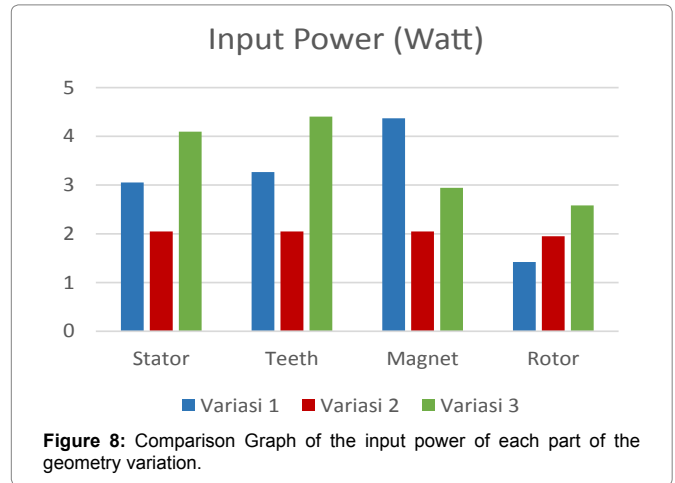
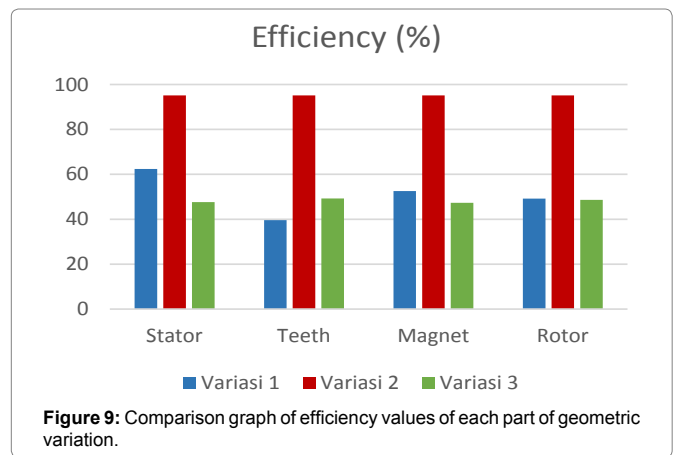


Table 8: Comparison results of efficiency value of each section.

	Stator	Teeth	Magnet	Rotor
Variation 1	62.3761	39.5935	52.5512	49.176
Variation 2	95.1723	95.1723	95.1723	95.172
Variation 3	47.6089	49.27	47.3006	48.631



Conclusions

From the experiment in the software infolytica, it can be concluded as follows:

1. In the pre design process generator 12 slot 8 pole, each constituent part of the generator must be initialized.
2. The diameter value in the generator greatly affects the resulting output value.
3. In the first variation the highest efficiency value is in the stator which is 62.3761%
4. In the second variation an efficiency value is 95.1723%
5. In the third variation the highest efficiency value is in the teeth section which is 49.27%.

References

1. Kenjo T, Nagamori S (1985) Permanent-Magnet and Brushless DC Motor. Oxford University Press.
2. Hendershot JR, Miller TJ (1994) Design of Brushless Permanent Magnet Motors. Motor Design Books LLC.
3. Fitzgerald AE, Kingsley C, Umans SD, James B (2003) Electric Machinery. McGraw-Hill.
4. Chapman S (2005) Electric Machinery Fundamentals. Tata McGraw-Hill Education.
5. Chapman SJ (2002) Electric Machinery and Power System Fundamentals. McGraw-Hill.

Author Affiliation

[Top](#)

School of Electrical Engineering, Diponegoro University, Semarang Indonesia

Submit your next manuscript and get advantages of SciTechnol submissions

- ❖ 80 Journals
- ❖ 21 Day rapid review process
- ❖ 3000 Editorial team
- ❖ 5 Million readers
- ❖ More than 5000  fans
- ❖ Quality and quick review processing through Editorial Manager System

Submit your next manuscript at • www.scitechnol.com/submission