

KORESPONDENSI JURNAL IJAER

Judul Artikel : Stress Analysis of Lower Limb Exoskeleton for Walking Assistance using Finite Element Method

Penulis : Rifki Atmaja., **Munadi**, Mohammad Tauviqirrahman

Nama Jurnal : International Journal of Applied Engineering Research, Volume Jurnal: 12, Nomor Jurnal: 13, Tahun Terbit Jurnal: 2017, Halaman: 3864-3866, ISSN: 0973-4562, Penerbit: Research India Publications

No	Kegiatan	Tanggal	Keterangan	
1	a	Submit manuscript to IJAER	5 Juni 2017	- Email - Manuscript
	b	Paper submission report	9 Juni 2017	Email
2		Paper accepted notification	22 Juni 2017	Email
3		Publish online	30 Juni 2017	Published paper

Note:

Komentar untuk karya penelitian : 'Judul Artikel: Stress Analysis of Lower Limb Exoskeleton for Walking Assistance using Finite Element Method, Penulis: Rifki Atmaja., Munadi, Mohammad Tauviqirrahman, Nama Jurnal: International Journal of Applied Engineering Research, Volume Jurnal: 12, Nomor Jurnal: 13, Tahun Terbit Jurnal: 2017, Halaman: 3864-3866, ISSN: 0973-4562, Penerbit: Research India Publications': Artikel ditulis di Jurnal Int bereputasi. **Tetapi kelengkapan Jurnal Kurang, tidak ada tanggal submission, reviewed dan accepted. Pengusul diminta menyertakan bukti korespondensi dengan pihak jurnal.**

Stress Analysis of Lower Limb Exoskeleton for Walking Assistance using Finite Element Method

Dari: Mohammad Tauviqirrahman <mohammad.tauviqirrahman@ft.undip.ac.id>

Kepada: "submit@ripublication.com" <submit@ripublication.com>

Terkirim: Senin, 5 Juni 2017 09.52.11 WIB

Judul: Submission of Manuscript for International Journal of Applied Engineering Research (IJAER)

To Editor

International Journal of Applied Engineering Research (IJAER)

Subject: Submission of Manuscript for International Journal of Applied Engineering Research (IJAER)

Reference

Paper Title: Stress Analysis of Lower Limb Exoskeleton for Walking Assistance using Finite Element Method

Author's name: Rifki Atmaja, Munadi, Mohammad Tauviqirrahman

Affiliation(s), Mailing address of Author(s):

Department of Mechanical Engineering, Engineering Faculty, Diponegoro University, Indonesia

Dear Editor,

With reference to above, please find my submission of paper for possible publications in International Journal of Applied Engineering Research (IJAER). I have read the "*Author Instructions*" of journal.

I hereby affirm that the content of this manuscript are original. Furthermore, it has been neither published elsewhere fully or partially or any language nor submitted for publication (fully or partially) elsewhere simultaneously.

Kind regards,
M. Tauviqirrahman
Department of Mechanical Engineering,
Engineering faculty
Diponegoro University
Central Java, Indonesia

Stress Analysis of Lower Limb Exoskeleton for Walking Assistance using Finite Element Method

Rifki Atmaja¹, Munadi², Mohammad Tauviqirrahman³

Mechanical Engineering Department, Engineering Faculty, Diponegoro University, Indonesia

¹rifkiatmaja@gmail.com

²muna_096@yahoo.com

³mohammad.tauviqirrahman@ft.undip.ac.id

Abstract — Lower limb exoskeletons are well-known as powerful tool to help therapists in the patient rehabilitation who have suffered from neurological situations. In the present study, the design of the walking assistance lower limb exoskeleton is developed. The main object of this work is to carried out the stress analysis of such design using finite element analysis (FEA). FEA based commercial software ABAQUS is used. The simulation results show that the developed design of lower limb exoskeletons is safe for walking assistance. This result can be a guide to make a reliable design of exoskeletons.

Keyword- exoskeleton, finite element analysis (FEA), paraplegic, stress

I. INTRODUCTION

Exoskeletons are defined as wearable mobile complex systems consisting of electric motors, hydraulics, pneumatics, levers and mainly used to help disabled people to retrieve some motion abilities with increased strength and endurance. Recently, the researches about exoskeletons have paid much attentions by numerous workers, and today powered exoskeleton suits are becoming a reality.

Kim et al. [1] proposed lower limb assistive exoskeleton device for paraplegic patients. The authors designed the mechanical hardware and a sensor system for an assistive exoskeleton device by considering the CoP as a method of determining the human intention to walk and stability criteria. Shaari et al. [2] derived the mathematical model and joint torque equations, to design a lower limb exoskeleton using electrical motors. The authors proposed a guide to select appropriate electrical actuators for an exoskeleton robot. Rakesh et al. [3] presented a control strategy for a lightweight exoskeleton. In their work, the exoskeleton runs in parallel to the human leg and transmits payload forces to the dampers. A designed pneumatic damper mechanical system was also introduced to compensate the metabolic activities and force impact on the leg. Later, Herianto et al. [4] proposed what so called rehabilitation robot for assisting the patient to recover from stroke or other extremity injuries. They developed lower limb rehabilitation robot control system with a low price by using a PWM controller for voltage manipulation. In recent publication, Lim et al. [5] developed the kinematic model of exoskeleton robot for lower limb that changes according to the gait phase detection of a human. Using the COP, they developed an algorithm that is capable of detecting gait phase with small number of sensors. Other interesting result is that to evaluate the developed insole sensor system and the gait phase detection algorithm, an experiment was also conducted.

Based on literature survey, different types of lower limb exoskeletons are currently proposed as tools for mobility assistance. The main aim of this study is to investigate the strength of the frame of lower limb exoskeleton with stress analysis varying the loading

values. Finite element method based commercial software ABAQUS is used walking to analyse lower limb exoskeletons with for walking assistance.

II. ANALYSIS

II.1. Developed design of lower limb exoskeleton

In the mechanical design of the exoskeleton, different design criteria should be considered. In the present study, with the aim of walking assistance, the lower limb exoskeleton is developed as can be seen in Figure 1. This model presents the current state of the patient during gait. It can be seen that the position of the right and left femur have different positions. This difference is influenced by the difference in angle between the femur and the fibula.

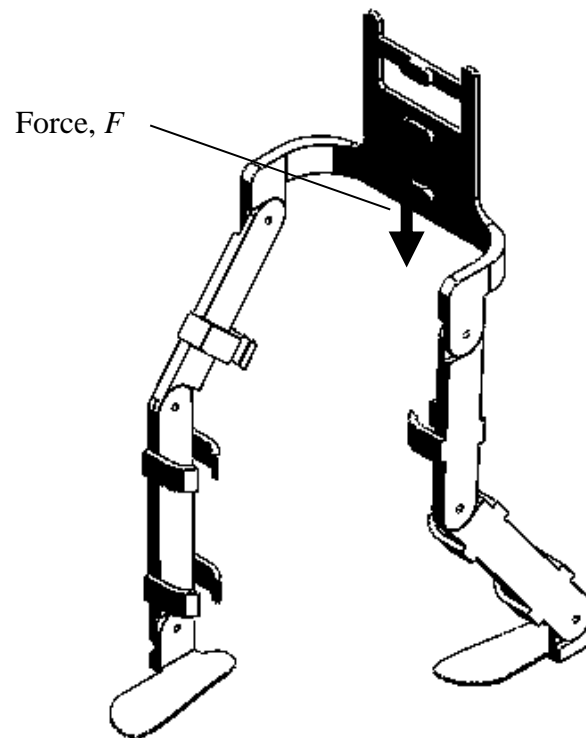


Figure 1. Schematic representation of lower limb exoskeleton used in this simulation.

In the present study, the material used is Aluminium Alloy 7075-T6 due to the lightweight but sturdy. In detail, the mechanical properties of this material is shown in Table 1.

Table 1. Material properties of Aluminium Alloy 7075-T6

Property	Value	Unit
Elastic Modulus	72,000	N/mm ²
Poisson's Ratio	0.33	-
Mass Density	2,810	Kg/m ³
Tensile Strength	570	N/mm ²
Yield Strength	505	N/ mm ²

II.2. Constraint and loading

The loading that exists in all models of the exoskeleton are influenced by the patient's body weight. In this study, the body mass applied here is set to 80 kg. The mass of body equals to the loading F (in this case $F = 784.8$ N) applied on the back of exoskeleton for the simulation, see Fig. 1. It should be note that during walking activity, the load is assumed to be on the back support. The assumption of the application point of force is chosen based on the real situation, i. e. standing conditions.

In computational model of exoskeleton in this study, the foot section is fixed so it cannot move in any direction. The back of exoskeleton is assumed to move only in the direction of the y -axis or vertical axis of the body while standing. The sides of the right and left legs are made unable to move.

The type of element applied here is tetrahedral. The number of elements and nodal is about 57,065 elements and 31,855 nodal.

III. RESULTS AND DISCUSSIONS

Figure 2 shows the von Mises distribution of the lower limb exoskeleton in walking situation. It can be seen from these figures that maximum von Mises stress is about 10.4 MPa, which is much lower than the yield strength of the material used. It should be noted that the yield strength of the material is about 505 MPa. Under these conditions, it can be said that the structure of lower limb exoskeleton is safe for walking condition.

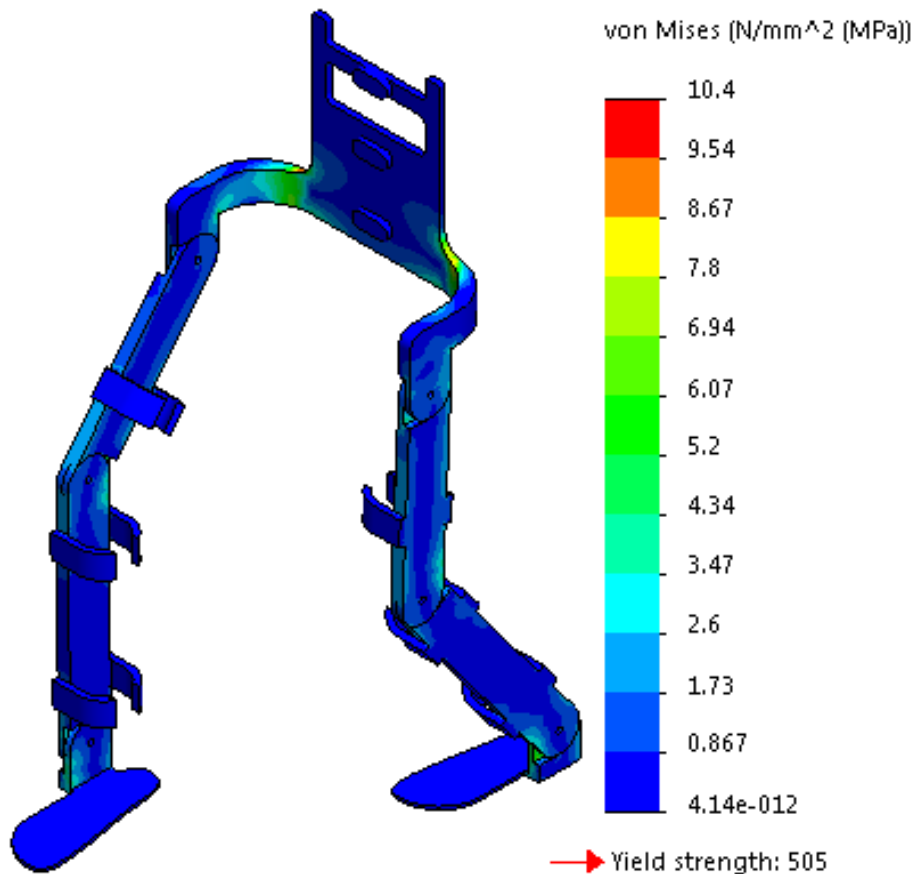


Figure 2. von Mises stress distribution of lower limb exoskeleton

Figure 3 shows the vertical or y-axis deformation of lower limb exoskeleton for walking assistance. It can be observed that the maximum deformation value based on the simulation result is about 0.0834 mm. If this value of deformation is compared to the dimension of lower limb exoskeleton developed here, the deformation value range is acceptable.

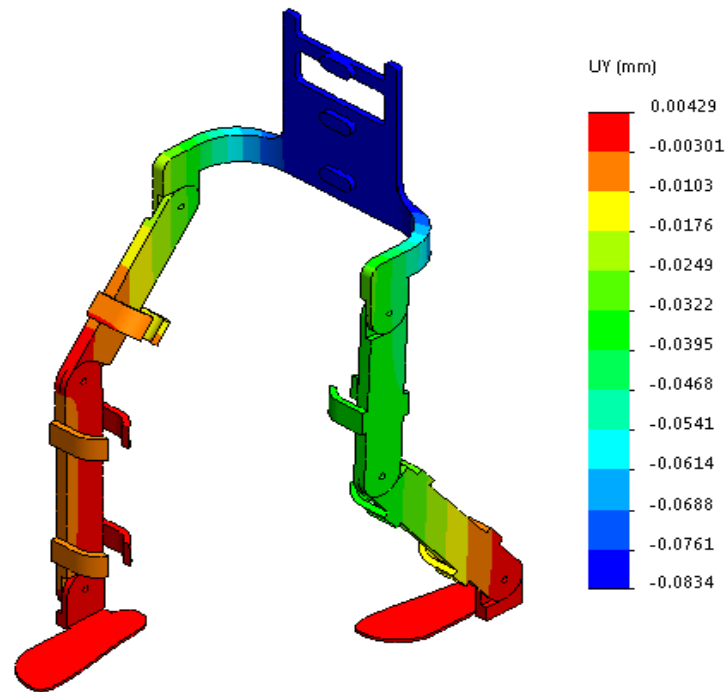


Fig. 3. Deformation distribution of lower limb exoskeleton

IV. CONCLUSION

In the present paper, the design of lower limb exoskeleton for walking assistance is proposed. Stress analysis of the strength of exoskeleton based on the finite element method is of particular interest. Based on the analysis presented in the previous section, the conclusion can be drawn as follows:

1. The design of lower limb exoskeleton for walking assistance is successfully developed.
2. The simulation results show that the design of the exoskeleton is safe during walking assistance with the average loading.

REFERENCES

- [1] Kim, J.H., Han, J.W., Kim, D.Y., and Baek, Y.S., 2013, "Design of a walking assistance lower limb exoskeleton for paraplegic patients and hardware validation using CoP," *Int. J. Adv. Robotic Sy.*, 10, pp. 1-13.
- [2] Shaari, N.L.A., Isa, I.S.M., and Jun, T.C., 2015, "Torque analysis of the lower limb exoskeleton robot design," *ARN J. Eng. Appl. Sci.*, 10, pp. 9140-9149.
- [3] Rakesh, C., Danish, S.M., Shivam, Yadav, H.K., and Singh, A.P., 2016, "Design and fabrication of lower limb exoskeleton," *Int. J. Latest Eng. Res. Appl.*, 1, pp. 14-20.

- [4] Herianto, Saryanto, W.Y., and Cahyadi, A.I., 2016, "Modeling and design of low cost lower limb rehabilitation robot control system for post-stroke patient using PWM controller," *Int. J. Mech. Mechat. Eng.*, 16, pp. 101-108.
- [5] Lim, D.H., Kim, W.S., Kim, H.J., and Han, C.S., 2017, "Development of real-time gait phase detection system for a lower extremity exoskeleton robot," *Int. J. Precis. Eng. Manuf.*, 18 (5), pp. 681-687.

Stress Analysis of Lower Limb Exoskeleton for Walking Assistance using Finite Element Method

From: **Research India Publications** <ijaeditor@gmail.com>

Date: Fri, 9 Jun 2017, 18:27

Subject: Re: Stress Analysis of Lower Limb Exoskeleton for Walking Assistance using Finite Element Method

To: <mohammad.tauviqirrahman@ft.undip.ac.id>

Dear **Dr. Mohammad Tauviqirrahman,**

Thank you very much for your email.

We have received your paper safely and we have already forwarded your paper for further review.

PAPER CODE #: RIP-56903-IJAER

It will take about one week for review process and we will inform you accordingly.

PLEASE QUOTE PAPER CODE IN YOUR EVERY CORRESPONDENCE.

We invite you to LIKE our page on Facebook to get updates regularly on New Issues updates, Conference information, New Books publication, Indexing information etc.

Our Facebook address is: <https://www.facebook.com/ripublication>

Thanks & Regards,

Viveka Nand

Publication Department

Stress Analysis of Lower Limb Exoskeleton for Walking Assistance using Finite Element Method

From: "Research India Publications" <ijaereditor@gmail.com>
Date: 22 Jun 2017 2:09 p.m.
Subject: Paper Accepted for IJAER Paper Code: 56903
To: <mohammad.tauviqirrahman@ft.undip.ac.id>
Cc:

Dear **Dr. Mohammad Tauviqirrahman,**

Paper Code: 56903

We are very pleased to inform you that your paper "**Stress Analysis of Lower Limb Exoskeleton for Walking Assistance using Finite Element Method**" is accepted by our Editor-in-chief for our journal **International Journal of Applied Engineering Research (IJAER)**.

Please find attached copyright transfer form.

Last date of submission of forms is 7th July 2017

Important Note: Please find attached library recommendation form. Please fill up this form and send it to us as we will provide free journal copies to your university library.

From the year 2017 IJAER is open access journal so please circulate information about **IJAER** amongst your colleagues to encourage them to submit manuscripts of full-length articles of considerable depth, for publication in **IJAER**. Kindly recommend **IJAER** to your university library to manage subscription order.

Thanking you and hope to hear from you soon,

With kind regards,

Viveka Nand

Publication Department

=====

Research India Publications
B-2/84, Ground Floor, Rohini Sec-16
Delhi-110089 INDIA
Website: www.ripublication.com
Our Facebook page: <https://www.facebook.com/ripublication>

Stress Analysis of Lower Limb Exoskeleton for Walking Assistance using Finite Element Method

Rifki Atmaja¹, Munadi² and Mohammad Tauviquirrahman³

*Mechanical Engineering Department, Engineering Faculty,
 Diponegoro University, Indonesia.*

Abstract

Lower limb exoskeletons are well-known as powerful tool to help therapists in the patient rehabilitation who have suffered from neurological situations. In the present study, the design of the walking assistance lower limb exoskeleton is developed. The main object of this work is to carried out the stress analysis of such design using finite element analysis (FEA). FEA based commercial software ABAQUS is used. The simulation results show that the developed design of lower limb exoskeletons is safe for walking assistance. This result can be a guide to make a reliable design of exoskeletons.

Keyword: Exoskeleton, finite element analysis (FEA), paraplegic, stress

INTRODUCTION

Exoskeletons are defined as wearable mobile complex systems consisting of electric motors, hydraulics, pneumatics, levers and mainly used to help disabled people to retrieve some motion abilities with increased strength and endurance. Recently, the researches about exoskeletons have paid much attentions by numerous workers, and today powered exoskeleton suits are becoming a reality.

Kim et al. [1] proposed lower limb assistive exoskeleton device for paraplegic patients. The authors designed the mechanical hardware and a sensor system for an assistive exoskeleton device by considering the CoP as a method of determining the human intention to walk and stability criteria. Shaari et al. [2] derived the mathematical model and joint torque equations, to design a lower limb exoskeleton using electrical motors. The authors proposed a guide to select appropriate electrical actuators for an exoskeleton robot. Rakesh et al. [3] presented a control strategy for a lightweight

exoskeleton. In their work, the exoskeleton runs in parallel to the human leg and transmits payload forces to the dampers. A designed pneumatic damper mechanical system was also introduced to compensate the metabolic activities and force impact on the leg. Later, Herianto et al. [4] proposed what so called rehabilitation robot for assisting the patient to recover from stroke or other extremity injuries. They developed lower limb rehabilitation robot control system with a low price by using a PWM controller for voltage manipulation. In recent publication, Lim et al. [5] developed the kinematic model of exoskeleton robot for lower limb that changes according to the gait phase detection of a human. Using the COP, they developed an algorithm that is capable of detecting gait phase with small number of sensors. Other interesting result is that to evaluate the developed insole sensor system and the gait phase detection algorithm, an experiment was also conducted.

Based on literature survey, different types of lower limb exoskeletons are currently proposed as tools for mobility assistance. The main aim of this study is to investigate the strength of the frame of lower limb exoskeleton with stress analysis varying the loading values. Finite element method based commercial software ABAQUS is used walking to analyse lower limb exoskeletons with for walking assistance.

ANALYSIS

1. Developed design of lower limb exoskeleton

In the mechanical design of the exoskeleton, different design criteria should be considered. In the present study, with the aim of walking assistance, the lower limb exoskeleton is developed as can be seen in Figure 1. This model presents the current state of the patient during gait. It can be seen that the position of the right and left femur have different positions. This difference is influenced by the difference in angle between the femur and the fibula.

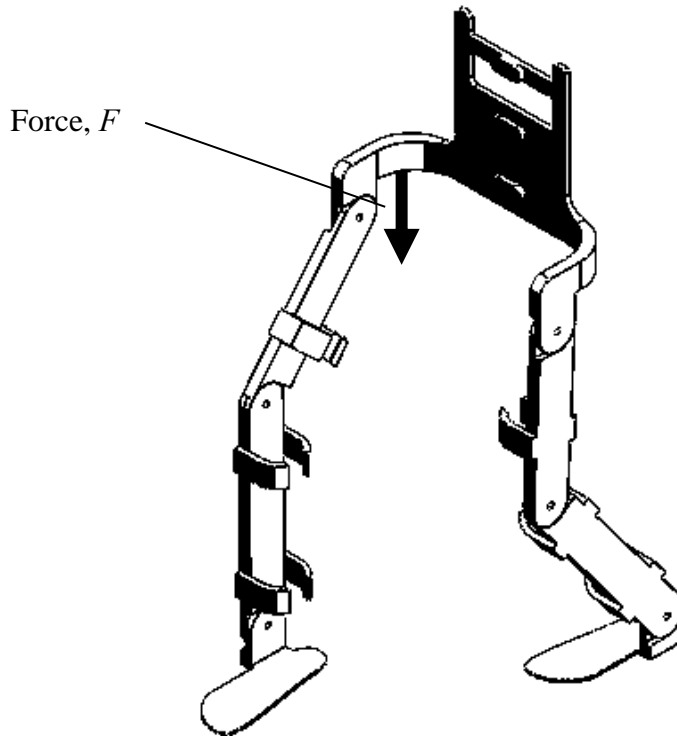


Figure 1: Schematic representation of lower limb exoskeleton used in this simulation.

In the present study, the material used is Aluminium Alloy 7075-T6 due to the lightweight but sturdy. In detail, the mechanical properties of this material is shown in Table 1.

Table 1. Material properties of Aluminium Alloy 7075-T6

Property	Value	Unit
Elastic Modulus	72,000	N/mm ²
Poisson's Ratio	0.33	-
Mass Density	2,810	Kg/m ³
Tensile Strength	570	N/mm ²
Yield Strength	505	N/mm ²

2. Constraint and loading

The loading that exists in all models of the exoskeleton are influenced by the patient's body weight. In this study, the body mass applied here is set to 80 kg. The mass of body equals to the loading F (in this case $F = 784.8$ N) applied on the back of exoskeleton for the simulation, see Fig. 1. It should be note that during walking activity, the load is assumed to be on the back support. The assumption of the

application point of force is chosen based on the real situation, i. e. standing conditions.

In computational model of exoskeleton in this study, the foot section is fixed so it cannot move in any direction. The back of exoskeleton is assumed to move only in the direction of the y -axis or vertical axis of the body while standing. The sides of the right and left legs are made unable to move.

The type of element applied here is tetrahedral. The number of elements and nodal is about 57,065 elements and 31,855 nodal.

RESULTS AND DISCUSSIONS

Figure 2 shows the von Mises distribution of the lower limb exoskeleton in walking situation. It can be seen from these figures that maximum von Mises stress is about 10.4 MPa, which is much lower than the yield strength of the material used. It should be noted that the yield strength of the material is about 505 MPa. Under these conditions, it can be said that the structure of lower limb exoskeleton is safe for walking condition.

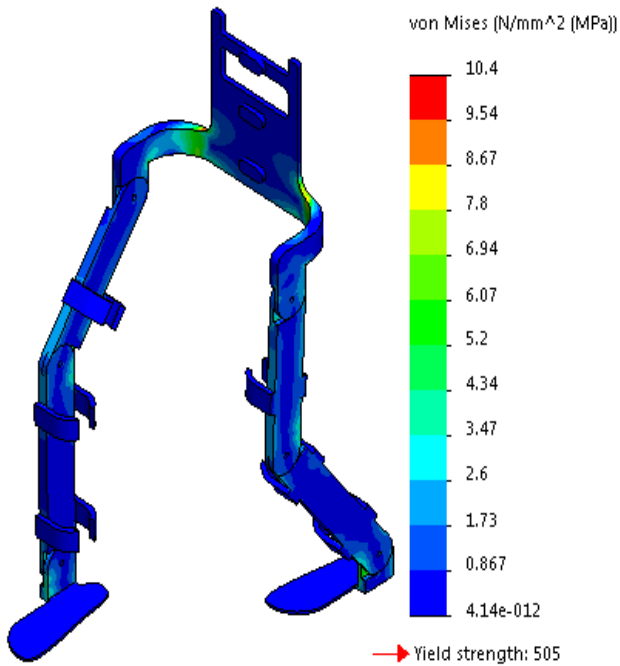


Figure 2: von Mises stress distribution of lower limb exoskeleton

Figure 3 shows the vertical or *y*-axis deformation of lower limb exoskeleton for walking assistance. It can be observed that the maximum deformation value based on the simulation result is about 0.0834 mm. If this value of deformation is compared to the dimension of lower limb exoskeleton developed here, the deformation value range is acceptable.

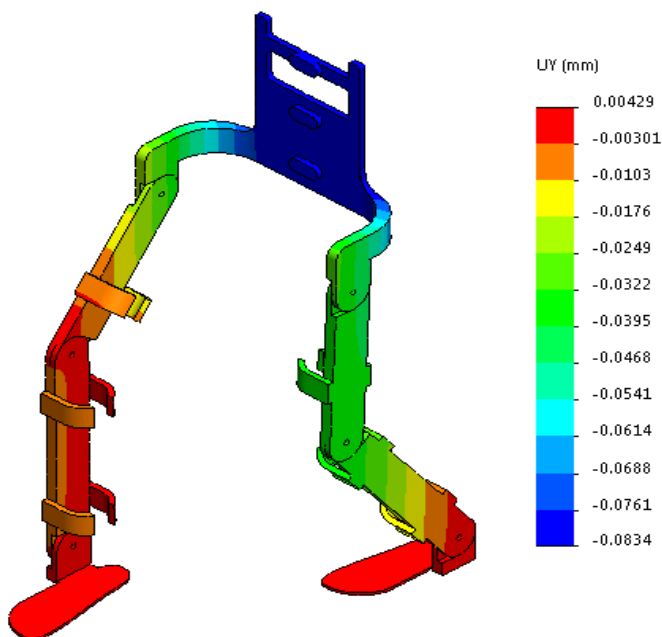


Figure 3: Deformation distribution of lower limb exoskeleton

CONCLUSION

In the present paper, the design of lower limb exoskeleton for walking assistance is proposed. Stress analysis of the strength of exoskeleton based on the finite element method is of particular interest. Based on the analysis presented in the previous section, the conclusion can be drawn as follows:

1. The design of lower limb exoskeleton for walking assistance is successfully developed.
2. The simulation results show that the design of the exoskeleton is safe during walking assistance with the average loading.

REFERENCES

- [1] Kim, J.H., Han, J.W., Kim, D.Y., and Baek, Y.S., 2013, "Design of a walking assistance lower limb exoskeleton for paraplegic patients and hardware validation using CoP," *Int. J. Adv. Robotic Sy.*, 10, pp. 1-13.
- [2] Shaari, N.L.A., Isa, I.S.M., and Jun, T.C., 2015, "Torque analysis of the lower limb exoskeleton robot design," *ARPN J. Eng. Appl. Sci.*, 10, pp. 9140-9149.
- [3] Rakesh, C., Danish, S.M., Shivam, Yadav, H.K., and Singh, A.P., 2016, "Design and fabrication of lower limb exoskeleton," *Int. J. Latest Eng. Res. Appl.*, 1, pp. 14-20.
- [4] Herianto, Saryanto, W.Y., and Cahyadi, A.I., 2016, "Modeling and design of low cost lower limb rehabilitation robot control system for post-stroke patient using PWM controller," *Int. J. Mech. Mechat. Eng.*, 16, pp. 101-108.
- [5] Lim, D.H., Kim, W.S., Kim, H.J., and Han, C.S., 2017, "Development of real-time gait phase detection system for a lower extremity exoskeleton robot," *Int. J. Precis. Eng. Manuf.*, 18 (5), pp. 681-687.